

TL 5010

Technical specification:

Dimensions	: B:26" (65 cm), H: 15" (37 cm), D: 11 1/8" (28 cm)
Internal volume	: 1.8 cu.ft. (50 l)
Weight	: 37.5 lb (17.3 kg)
Impedance	: 4 to 8 ohms
Crossover frequencies	: 700 Hz, 2000 Hz
Resonance frequency	: 50 Hz
Frequency range (DIN 45570)	: 35 to 22 000 Hz
Sensitivity (DIN 45500)	: 3 Watts
Max. continuous power (DIN 45573)	: 45 Watts

Complement:

Woofer	: HT 130, 8 ohms, 12",	part No. 281029
Midrange	: HT 129, 8 ohms, 5",	part No. 284743
Tweeter	: HT 128, 8 ohms, 1",	part No. 282710

Gasket behind the tweeter: part No. 885100

Crossover filter components:

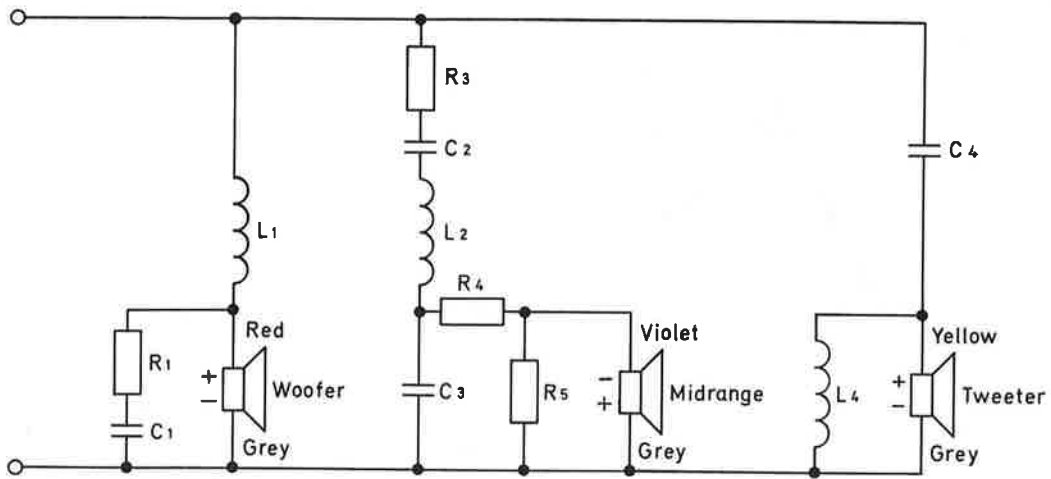
Filter board: part No. 994700

L1:	3 mH,	part No. 980167
L2:	0.4 mH,	part No. 980150
L4:	0.4 mH,	part No. 980150

* C1:	75 μ F,	part No. 284858
C2:	50 μ F,	part No. 282007
C3:	20 μ F,	part No. 282358
C4:	10 μ F,	part No. 280677

* R1:	3.9 ohms, 5 W,	part No. 228947
* R3:	8.2 ohms, 5 W,	part No. 280325
R4:	3.9 ohms, 5 W,	part No. 228947
R5:	3.9 ohms, 5 W,	part No. 228947

Diagram:



HT 129 seen
from behind.

Notes:

* Components marked with an asterisk (*) are after 1.11 -72 modified to:

C1:	50 μ F,	part No. 282007
R1:	2.2 ohms, 2 W,	part No. 265433
R3:	3.9 ohms, 5 W,	part No. 228947